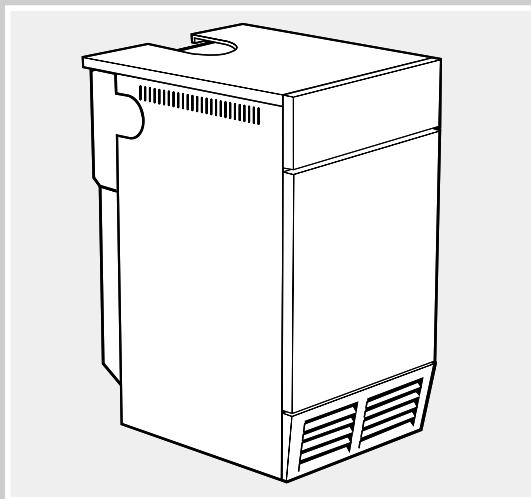


# THE IDEAL USERS GUIDE



*mexico*

the floor standing boiler

Floor standing, gas  
fired fanned flue boiler

**Mexico Super**  
40 FF - 125 FF

*i* **Boilers** *Ideal*

# *Mexico:*

## *The Floor Standing Gas Boiler*

The Ideal Mexico is a range of cast iron floor standing gas central heating boilers. Balanced, conventional or fanned flue versions are available. A complete range of both natural gas and propane models. The range offers Super models and, for when space is tight, there are Slimline models available.

### *Mexico: Britain's biggest selling floor standing boiler*

#### *The ideal replacement boiler...*

Easy to install, easy to operate and easy to service. The Ideal Mexico really is the ultimate replacement floor standing range - you can depend on it.

#### *Proven reliability...*

Proven cast iron heat exchanger engineered and refined to be the most dependable floor standing boiler ensuring totally calm operation and quiet running, whatever the system demands.

#### *Complete range...*

34 models, including 4 Slimline models at only 250mm wide and 8 propane Super models and 7 Fanned models. Option kit availability includes an easy to use programmer kit available on all models, an overheat thermostat kit for all models and a pump kit that can be housed within the casing, available for all models except the Super CF 3/140 & CF 3/140P and all fanned models.

#### *Full system suitability...*

All models are suitable for connection to pumped open vent central heating systems, pumped central heating combined with pumped or gravity indirect domestic hot water supply systems. They can also be used on sealed water systems when used in conjunction with the optional Overheat Thermostat Kit.

#### *Free Guarantee: 1st Year Ideal Care*

The home owner is entitled to 12 months free Ideal Care, which includes both parts and labour, to restore the boiler to full function. Please encourage the home owner to complete and return the registration form in their Householder's pack within 30 days of installation.

#### *Optional Extra Year Cover with Ideal Care*

You may wish to offer your own annual service plan or you may wish to advise the home owner to complete their application form for the appropriate level of extended Ideal Care - Silver, Gold or Platinum. Full details are available in the Ideal Care brochure.

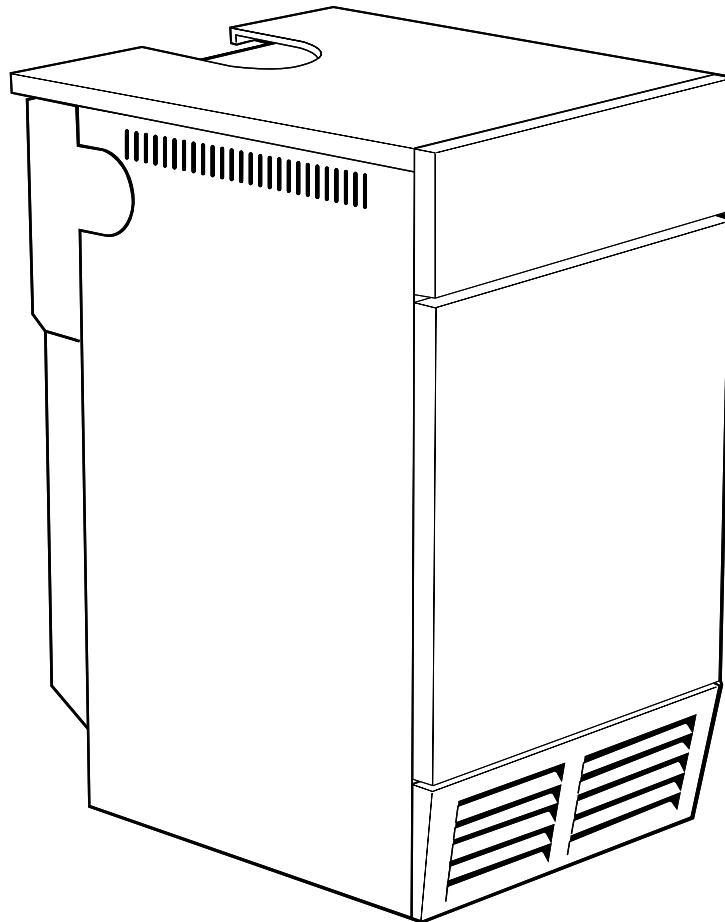
**CAUTION. To avoid the possibility of injury during the installation, servicing or cleaning of this appliance care should be taken when handling edges of sheet steel components**

## ***Mexico Super (Natural Gas Models Only)***

Mexico Super	40	FF	G.C. No. 41 349 78
Mexico Super	50	FF	G.C. No. 41 349 79
Mexico Super	60	FF	G.C. No. 41 349 80
Mexico Super	70	FF	G.C. No. 41 349 81
Mexico Super	80	FF	G.C. No. 41 349 82
Mexico Super	100	FF	G.C. No. 41 349 83
Mexico Super	125	FF	G.C. No. 41 349 84

Certified - P.I. No. 87 AU 83

Destination Countries: GB, IE



**THE LOG BOOK SHOULD BE COMPLETED AFTER  
EACH SERVICE AND KEPT WITH THESE  
INSTRUCTIONS.**



## Safety

It is essential that the instructions in this booklet are strictly followed, for safe and economical operation of the boiler.

**Gas Safety (Installation & Use) Regulations 1994 and Amendments 1996.** In your own interest, and that of safety, it is the law that this boiler must be installed by a registered installer, in accordance with all national and local regulations.

## Electricity Supply

**This appliance must be efficiently earthed.**

Supply: 230 V ~ 50 Hz.

The fusing should be 3A.

Connection must be made in a way that allows complete isolation of the electrical supply such as a double pole switch having a 3mm (1/8") contact separation in both poles, or a plug and socket, serving only the boiler and system controls. The means of isolation must be accessible to the user after installation.

## Important Points

- If the boiler is installed in a compartment then the compartment **MUST NOT** be used for storage purposes.
- The ventilation provided for the boiler during installation **MUST NOT** be blocked, and a check should be made periodically that the ventilation areas are free from any obstruction.
- If it is known or suspected that a fault exists on the boiler then it **MUST NOT** be used until the fault has been corrected by a CORGI registered installer.
- Inflammable materials must not be placed in close proximity to the appliance. Materials giving off flammable vapours must not be stored in the same room as the appliance.
- Under **NO** circumstances should any of the sealed components on this appliance be used incorrectly or tampered with.

In cases of repeated or continuous shutdown a CORGI registered person should be called to investigate and rectify the condition causing this and carry out an operational test after each intervention on the device. Only the manufacturer's original parts should be used for replacement.

## Minimum Clearances

A clearance of 533mm (21") **MUST** be available at the front of the boiler for servicing.

The minimum clearances given in Table 1 **MUST** be complied with, in order to maintain the safe running of the boiler.

### 1 BOILER CLEARANCES

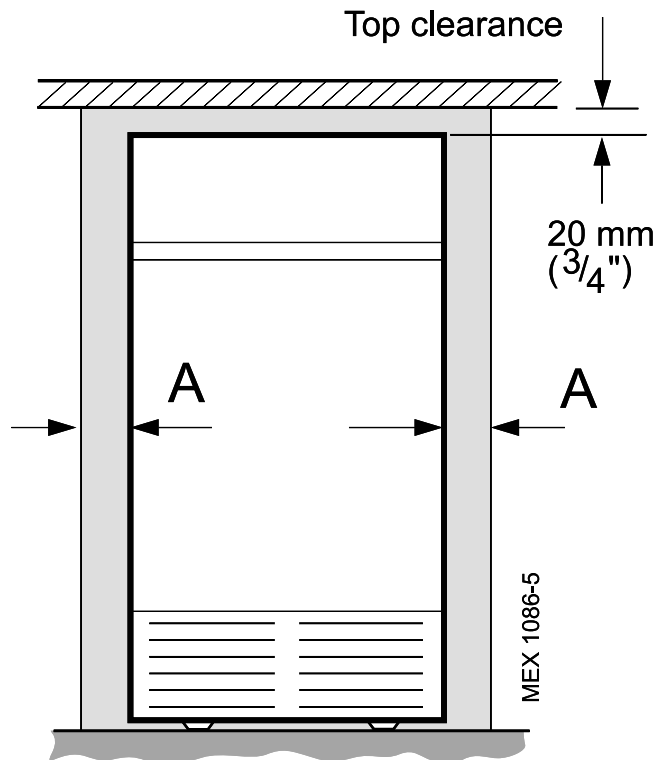


Table 1

Boiler Model	Flue Length mm (in.)	Dimension A	
		Rear Flue mm (in.)	Side/Top flue mm (in.)
40 FF, 50 FF 60 FF, 70 FF 80 FF, 100 FF	Up to 600 (23 5/8)	10 (3/8)	35 (1 3/8)
125 FF		55 (2 1/4)	55 (2 1/4)
40 FF, 50 FF 60 FF, 70 FF 80 FF	600 to 3000 (23 5/8 to 118)	35 (1 3/8)	35 (1 3/8)
100 FF	600 to 2000 (23 5/8 to 78 3/4)	35 (1 3/8)	35 (1 3/8)
125 FF	600 to 1000 (23 5/8 to 39 1/4)	55 (2 1/4)	55 (2 1/4)

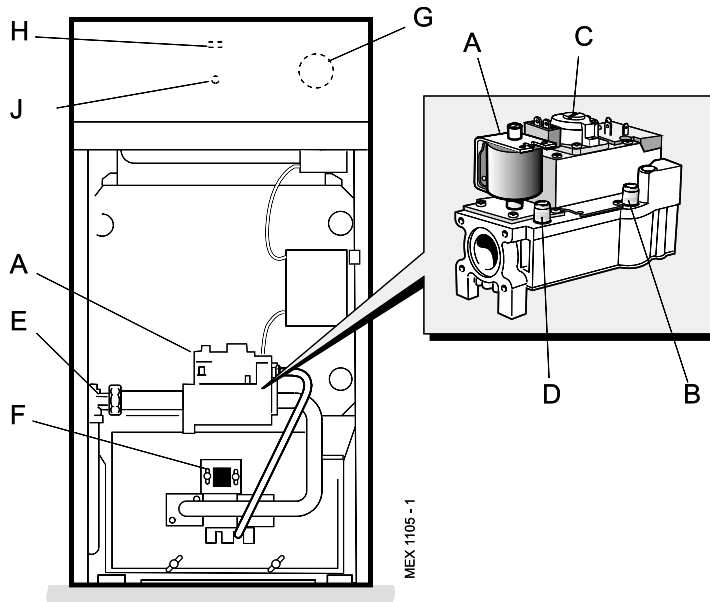
**NOTE TO THE INSTALLER: LEAVE THESE INSTRUCTIONS ADJACENT TO THE GAS METER**

## 2 BOILER CONTROLS

### LEGEND

- A. Gas control valve.
- B. Burner pressure test point.
- C. Main burner pressure adjuster.
- D. Inlet pressure test point.
- E. Gas service cock.
- F. Sightglass.
- G. Boiler thermostat knob.
- H. Main burner 'On' neon.
- J. Overheat thermostat reset button (optional).

**Note.** Grille assembly not shown, for clarity



### ***To light the boiler. Refer to Frame 2***

If a programmer is fitted refer to separate instructions for the programmer before continuing.

1. Check that the electricity supply to the boiler is OFF.
2. Open the control panel drop-down door and ensure that the thermostat knob (G) is in the OFF position.
3. Switch ON the electricity supply to the boiler and check that all external controls, e.g. room thermostat etc., are ON.
4. Set the boiler thermostat knob (G) to position 6. The fan will start. After the fan has run for a few seconds the pilot solenoid valve should open and the intermittent spark commence, continuing until the pilot is established. The main burner will then cross-light smoothly.

**Winter conditions (i.e. central heating and domestic hot water).** The thermostat should be positioned at setting 5 or 6.

**Summer conditions (i.e. domestic hot water only).** The thermostat should be positioned at setting 2.

These settings are offered for general guidance only and other settings may be found preferable, dependent upon the type of system installed or as recommended by the installer.

### ***To shut down the boiler***

1. **For short periods**  
Turn the boiler thermostat knob (G) to OFF. When heating is again required, restore the knob to its original setting.
2. **For longer periods**
  - a. Turn the boiler thermostat knob (G) to OFF.
  - b. Switch the electricity supply to OFF.

### ***Frost protection***

If no frost protection is provided and frost is likely during a short absence from home, leave the heating controls (if fitted) at a reduced temperature setting.

For longer periods, the entire system should be drained - including the domestic water supply.

If the system includes a frost thermostat then, during cold weather, the boiler should be turned OFF at the time switch (if fitted) ONLY. The mains supply should be left switched ON, with the boiler thermostat left in the normal running position.

### ***Control of water temperature***

1. Set the boiler thermostat knob (G) to give the required temperature for central heating.
2. The boiler thermostat automatically switches the main burner OFF and ON to maintain the selected temperature.

### ***To relight the boiler***

Repeat the procedure 1 - 4 detailed in 'To light the boiler'.

### ***Boiler Overheat Thermostat***

**(Fitted for sealed systems only)**

For a boiler fitted with a safety 'cutout' thermostat: this thermostat will shut down the boiler in the event of overheating. Should this occur, allow the boiler to cool, press the reset button (J) on the overheat thermostat then relight as detailed in steps 1-4 under 'To light the boiler'.

If the 'cutout' condition persists turn off the boiler and consult a CORGI registered installer.

### ***Loss of system water pressure (Boilers fitted with the Overheat Thermostat Kit only)***

If the red arrow on the system pressure gauge is set above zero and the system pressure is seen to fall below this value over a period of time then a water leak is indicated. In this event a CORGI registered installer should be consulted.

**DO NOT FIRE THE BOILER IF THE PRESSURE HAS REDUCED TO ZERO FROM THE ORIGINAL SETTING**

## ***Escape of gas***

Should a gas leak or fault be suspected, contact your gas supplier *without delay*.

**Do NOT search for gas leaks with a naked flame.**

## ***Cleaning***

For normal cleaning simply dust with a dry cloth.

To remove stubborn marks and stains, wipe with a damp cloth and finish off with a dry cloth.

**Do NOT use abrasive cleaning materials.**

## ***Maintenance***

The appliance should be serviced at least once a year by a CORGI registered installer.

**Note.** *The appliance model is given on the data plate, located on the front of the boiler base plate, behind the grille assembly.*



***The code of practice for the installation, commissioning & servicing of central heating systems***

Caradon Plumbing Ltd. is a member of the Benchmark initiative and fully supports the aims of the programme. Benchmark has been introduced to improve the standards of installation and commissioning of central heating systems in the UK and to encourage the regular servicing of all central heating systems to ensure safety and efficiency.

**Caradon Plumbing Ltd.** pursues a policy of continuing improvement in the design and performance of its products. The right is therefore reserved to vary specification without notice.

July 1999

153421 A02

**Caradon Plumbing Ltd.**, P.O. Box 103, National Ave, Kingston upon Hull, HU5 4JN. Telephone: 01482 492 251 Fax: 01482 448 858. Registration No. London 322 137. Registered Office: National Avenue, Kingston upon Hull, HU5 4JN. *A subsidiary of Caradon plc.*

***i* Ideal** BOILERS

***Ideal Care Helpline: 01482 498610***



**THIS SYMBOL IS YOUR ASSURANCE OF QUALITY**

These appliances are designed for use with Natural Gas only. They have been tested and conform with the provisions of BS. 6332 and BS. 5258.



**CERTIFIED PRODUCT**  
Manufactured under a BS EN ISO 9001:1994  
Quality System accepted by BSI

***Your feedback  
and your chance to win a free boiler***

---

At Ideal we've been leaders in the design and engineering of robust and reliable boilers for over 90 years. We want to continue as leaders by listening to your suggestions for how to improve our boilers and our service. We'll be giving away a free boiler for the five best ideas every year (to be selected by our Technical Director). Please complete this form, using extra sheets if required, and post it or fax it to us on 01482 498699.

***Boiler details***

Model / Size (e.g. Classic RS 230, Mexico CF 3/60 etc. Details on control panel door)

Date of Installation

***Installer details***

Name

Address

Post Code

Telephone (Please include STD code)

***How I would improve this boiler:***

***My general comments for Ideal:***

**Caradon**   
**Plumbing Solutions**

***Ideal Care Helpline: 01482 498610***

## Further information

If you would like information about Ideal Boilers please complete this sheet and fax it to us on 01482 498699 or post it to Caradon Plumbing Limited, PO Box 103, National Avenue, Kingston upon Hull, HU5 4JN.

### Installer details

Name

Address

Post Code

Telephone (Please include STD code)

### General information required

- Please send me details of Ideal Training Courses.
- Please arrange for a technical representative to contact me.
- Please arrange for me to join an Ideal factory tour.

### Range guides required

- The Ideal Guide: a specifier's and installer's introduction to the Ideal domestic boiler range.
- The Ideal Householders Guide: to assist the installer when presenting to his/her customers.

### Technical manuals required

- The Ideal C class combi boiler
- The Ideal Classic wall hung boiler
- The Ideal Classic System wall hung boiler
- The Ideal Classic LX Deluxe wall hung boiler
- The Ideal Mexico floor standing boiler
- The Ideal Minimiser heat-saving boiler
- The Ideal Response combi boiler
- The Ideal Response SE super efficiency combi boiler
- The Ideal Systemiser SE super efficiency system boiler
- The Ideal Concord high output boiler
- The Ideal Buccaneer oil fired boiler

**Caradon**   
**Plumbing Solutions**

Caradon Plumbing Ltd., PO Box 103, National Avenue, Kingston upon Hull, HU5 4JN. Telephone: 01482 492251 Fax: 01482 448858.

***Ideal Care Helpline: 01482 498610***

